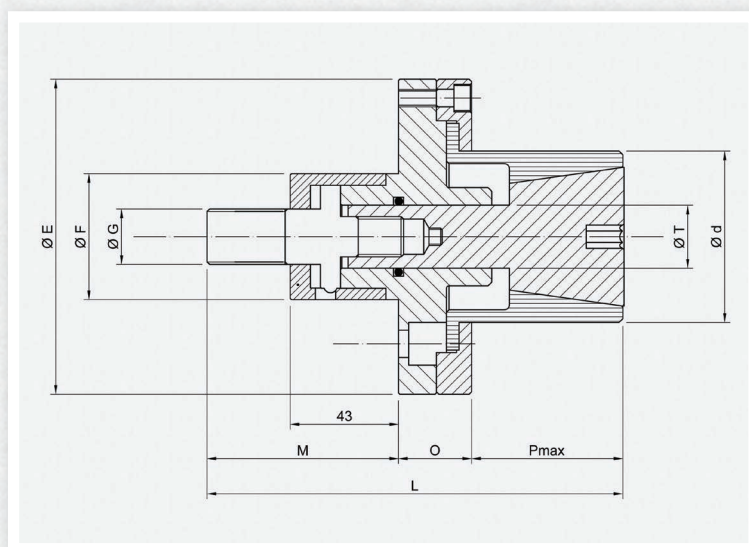


PE COLLET HOLDERS ADAPTOR

The adapter, entirely made from a block of galvanized, tempered and adjusted steel, is mounted on MSCPE chuck (or another prepared chuck).

It has the task of bringing expandable collet with its tapered rod and piece stop flange, preventing collet from expanding too much thanks to a stroke limiter.

Every collet class (PE A type; B type; C type, etc...) needs a specific adapter.



Product Details

COLLET ARTICLE	ADAPTER TYPE	COLLET TYPE PE	SIZE DIMENSIONS									MAX. DIAM. EXPANSION	MAX. TRACTION STRENGTH (KG)
			DIAMETER RANGE Ø d min. ÷ max.	E	F	G	L	M	O	P. MAX	T		
375 012 017	MSCPE-AA	AA	12÷18	105	50	M22X1,5	135	76	29	30	6	0,5	500
375 017 035	MSCPE-A	A	18÷25	105	50	M22X1,5	135	76	29	30	10	0.5	1600
375 025 050	MSCPE-B	B B1	25÷35 35,5÷50	105	50	M22X1,5	135	76	29	30	14	0.5 0.5	3200 3200
				105	50	M22X1,5	135	76	29	30	14		
375 035 060	MSCPE-C	C C1	35÷50 50,5÷60	120	50	M22X1,5	150	76	29	45	20	0.5 0.5	3200 3200
				120	50	M22X1,5	150	76	29	45	20		
375 050 080	MSCPE-D	D D1	50÷65 66÷80	125	50	M22X1,5	165	76	29	60	25	1 1	4500 4500
				125	50	M22X1,5	165	76	29	60	25		
375 070 100	MSCPE-E	E E1	70÷85 86÷100	148	50	M22X1,5	175	76	31	68	30	1 1	4500 4500
				148	50	M22X1,5	175	76	31	68	30		
375 090 130	MSCPE-F	F F1	90÷110 111÷130	185	50	M22X1,5	199	76	38	85	30	1 1	4500 4500
				185	50	M22X1,5	199	76	38	85	30		
375 130 180	MSCPE-G	G G1	130÷160 161÷180	235	50	M22X1,5	209	76	38	95	30	1 1	5000 5000
				235	50	M22X1,5	209	76	38	95	30		
375 180 230	MSCPE-H	H H1	180÷210 211÷230	285	50	M22X1,5	212	76	41	95	30	1 1	5000 5000
				285	50	M22X1,5	212	76	41	95	30		