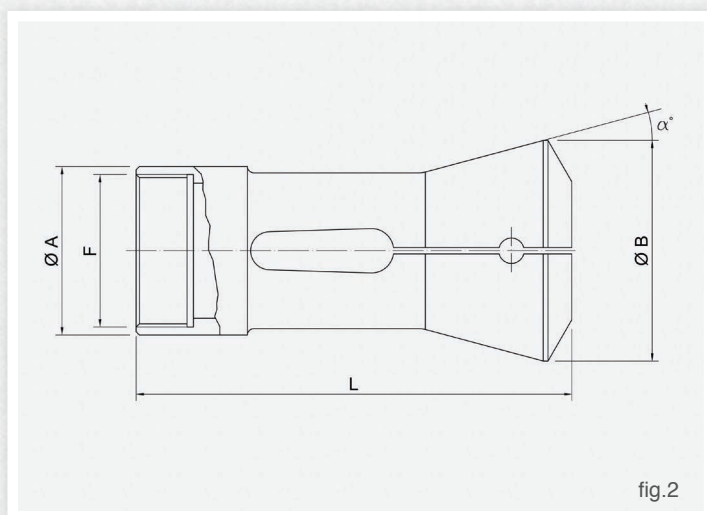
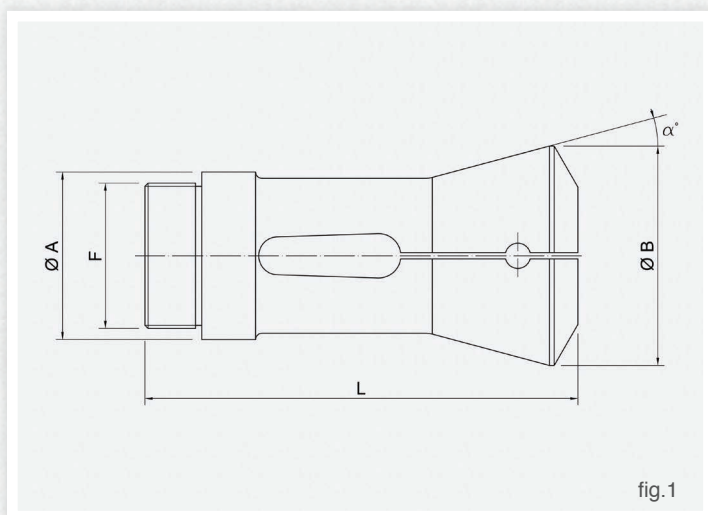


# MORI-SAY BAR HOLDING COLLETS



Collets for multi-chuck lathes are the "traction" type made through tie-rods inside the machine. The attachment thread may be internal or external. This allows very precise milling. In addition to the typical bore of the collets (round, hexagonal or square) they can also be made according to templates designed by the customer.



## Product Details

E CODE	DESCRIPTION	FIG.	DIMENSIONS					BORE MAX		
			A	B	L	$\alpha$	F THREAD	ROUND	HEXAG.	SQUARE
9012E	6/20 (TIPO GILDEMEISTER)	1	34	42	90	16°	M30X1 SIN.	23	19	14
9034E	6/25-626 (TIPO WICKMAN)	2	41,3	54,5	132	15°	Ø 37,8X24 FIL"SIN.	25	22	18
9069E	6/32-8/32 (TIPO GILDEMEISTER)	2	53	69,4	139	15°	M48X1,5 SIN.	38	31	22
9070E	6/32-8/32 (TIPO SCHUTTE)	1	53	69,3	136,5	15°	M47X1,5 SIN	38	32	26
9112E	6/42-8/42 (TIPO SCHUTTE)	1	62,9	78,3	157	15°	M56X1,5 SIN	49	41	34
9142E	6/57 (TIPO WICKMAN)	2	76,86	95,5	181	15°	Ø 72,46X22 FIL"	57	49	40
9181E	6/67 (TIPO WICKMAN)	2	92,07	111	165	15°	Ø 85,72X18 FIL"	66	57	46