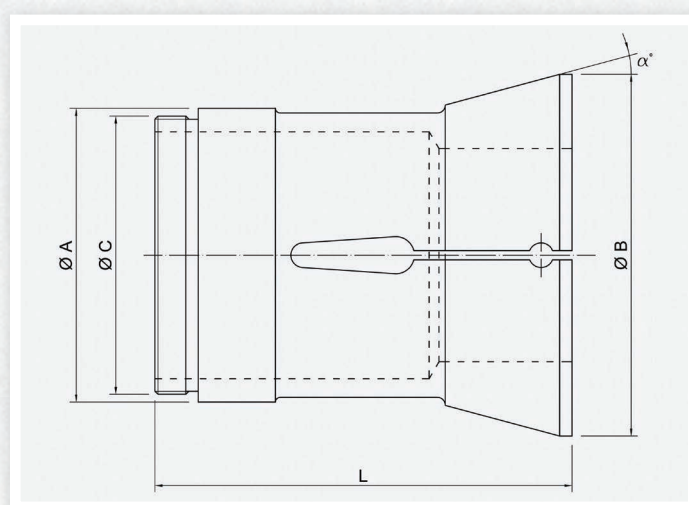
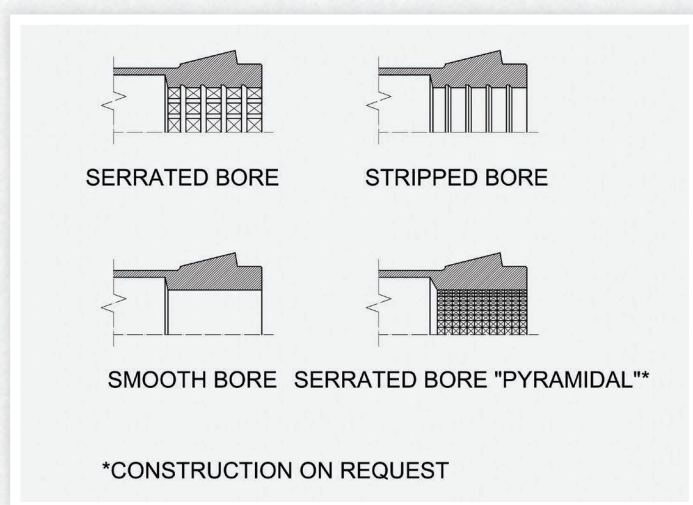


# BE TRACTION COLLETS



Type of "pulled" collet in galvanized, tempered steel, adapted.



## Product Details

COLLET ARTICLE	DESCRIPTION	DIMENSIONS					BORE MAX			UNITS IN STOCK
		A	B	C	L	$\alpha$	ROUND	HEXAG.	SQUARE	
15 017 00	BE 17 (A17)	24	33	M22X1,25	94	15°	17	14	11	•
15 026 00	BE 26	38	50	M34X1,5	103	15°	26	22	18	
15 035 00	BE 35 (B35)	47	59,5	M43X1,5	119	15°	35	30	24	•
15 042 00	BE 42	50	60	M47X1,5	107	15°	42	36	36	
15 045 00	BE 45 (C45)	55	69	M53X1,5	130	15°	45	38	31	•
15 052 00	BE 52	58	72	M55X1,5	107	15°	50	43	35	
15 060 00	BE 60	70	86	M66X1,5	120	15°	60	52	42	
15 070 00	BE 70	80	97	M76X1,5	127	15°	70	60	50	
15 072 00	BE 70 (D70)	80	97	M76X1,5	158	15°	70	60	50	
15 080 00	BE 80	95	117	M90X1,5	135	15°	80	68	56	
15 100 00	BE 100	115	135	M110X1,5	155	15°	100	86	70	
15 120 00	BE 120	135	165	M130X1,75	172	15°	120	105	85	
15 150 00	BE 150	170	212	M165X1,5	180	15°	150	130	106	